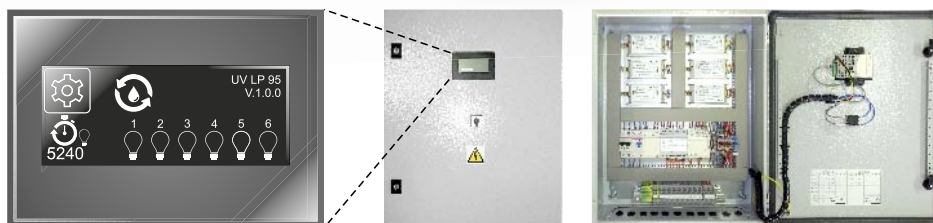
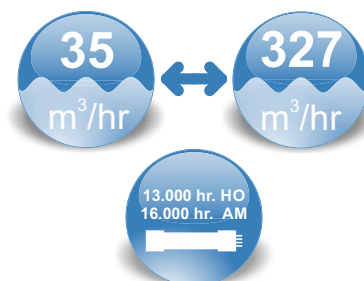


Serie UV LP multilámpara

Multilamp UV LP Series

Vers. 30102014



Alta tecnología,
desinfección Ultravioleta

High Technology,
Ultraviolet disinfection

VENTAJAS / ADVANTAGES

- Versiones en acero AISI 316L y Polietileno (ideal para agua de mar).
- Lámparas a baja presión HO o Amalgama (AM).
- Gran duración de vida de las lámparas (hasta 16.000 horas de duración con lámparas AM).
- Presión máxima de servicio 3 bar.
- Stainless steel (AISI316L) and polyethylene versions (for sea water applications).
- Low pressure HO or Amalgam (AM) UV lamps.
- Long lamp lifetime (up to 16.000 hours with AM lamps)
- Max. rated pressure 3 bars.

DESCRIPCIÓN

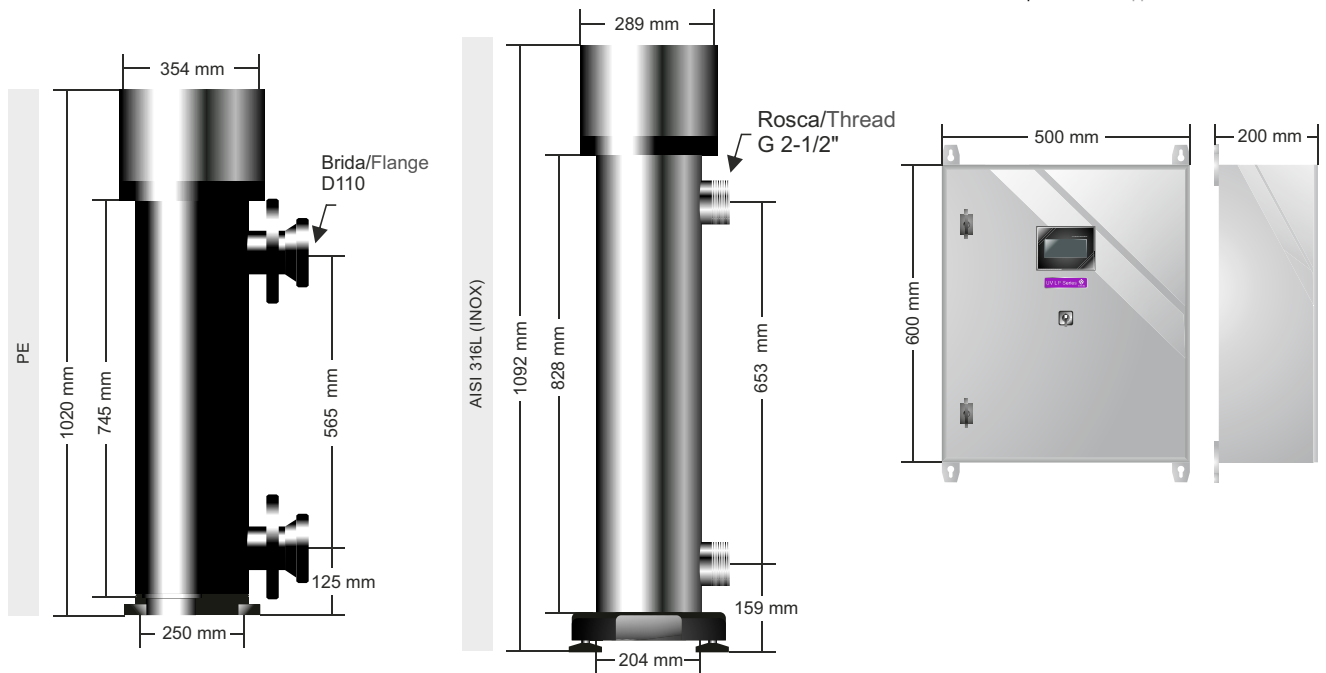
- Temperatura máxima de agua 40°C en equipos con lámparas HO y 60°C en equipos con lámparas de amalgama.
- Conexión entrada y salida con bridas rotatorias.
- Tapón de vaciado de 3/4".
- Mantenimiento: Cambio de lámpara y limpieza de tubo de cuarzo muy rápido y sencillo.
- Cables incluidos.
- Tensión de alimentación monofásica 240V - 50/60 Hz. y protección diferencial de 30 mA.
- Interruptor marcha/paro.
- Control de funcionamiento por pantalla táctil.
- Contador horario.
- Índice de protección IP 65 (panel de control).

DESCRIPTION

- Maximum water temperature of 40°C for equipment with HO lamps, and 60°C for equipment with amalgam lamps.
- Drain plug of 3/4".
- Inlet/Outlet connections with rotating flanges.
- Fast maintenance and simple replacement of the lamp and cleaning of the quartz sleeve.
- Cables included.
- Power supply, single-phase 240V-50/60 Hz and 30 mA residual current protection.
- On/Off Switch.
- Operation control on touch screen.
- Digital hour counter.
- IP 65 protection index (control panel).

SIRIUS UV LP (35-95 m³ / hr)

medidas aproximadas / approximate dimensions

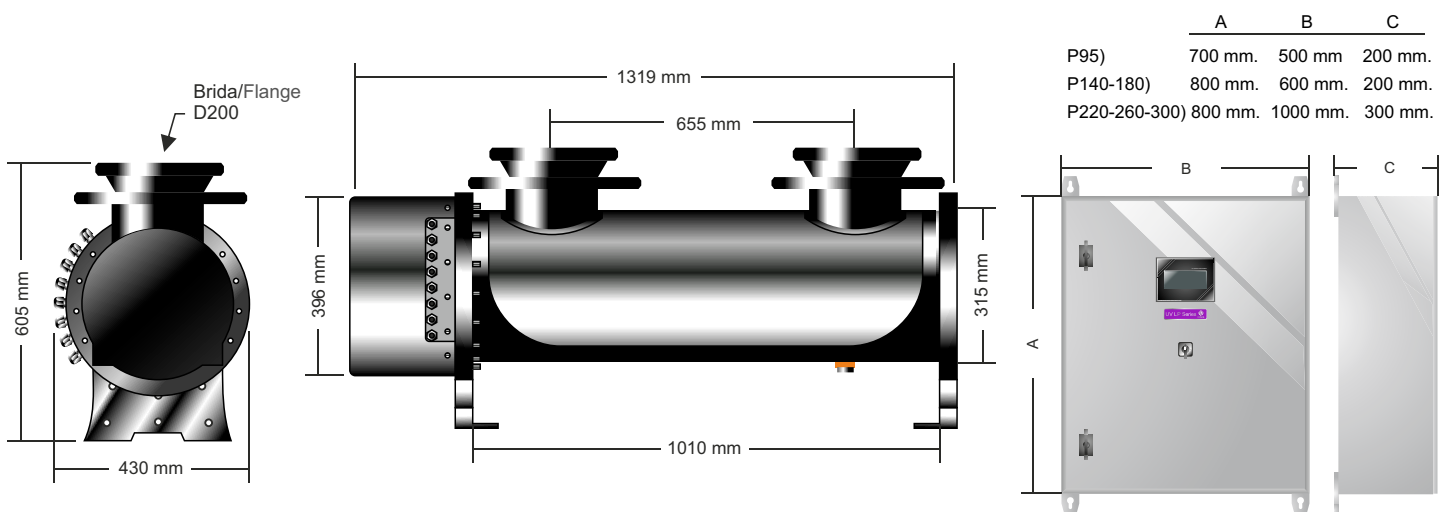


| REF. | PE (POLIETILENO / POLYETHYLENE) | | | | ACERO / STEEL (AISI 316L) | | | |
|--|---------------------------------|----------------------|----------------------|----------------------|---------------------------|----------------------|----------------------|----------------------|
| | UV LP P35 | UV LP P45 | UV LP P60 | UV LP P70 | UV LP 45 | UV LP 65 | UV LP 85 | UV LP 95 |
| UV (W) | 3x90W | 4x90W | 5x90W | 6x90W | 3x90W | 4x90W | 5x90W | 6x90W |
| UV-C (W) | 90 UV-C (W) | 120 UV-C (W) | 150 UV-C (W) | 180 UV-C (W) | 90 UV-C (W) | 120 UV-C (W) | 150 UV-C (W) | 180 UV-C (W) |
| LAMP. | 13.000 hr (HO) | | | | 13.000 hr (HO) | | | |
| FL. @ 35 mJ/cm ² agua dulce / freshwater(1) | 35 m ³ /h | 45 m ³ /h | 60 m ³ /h | 70 m ³ /h | 45 m ³ /h | 65 m ³ /h | 85 m ³ /h | 95 m ³ /h |
| FL. @ 60 mJ/cm ² agua dulce / freshwater(1) | 18 m ³ /h | 22 m ³ /h | 30 m ³ /h | 35 m ³ /h | 22 m ³ /h | 30 m ³ /h | 37 m ³ /h | 43 m ³ /h |
| FL. @ 35 mJ/cm ² agua mar / seawater(2) | 26 m ³ /h | 33 m ³ /h | 45 m ³ /h | 53 m ³ /h | | | | |

(1)UVT 95%
(2)UVT 85%

SIRIUS UV LP (101-327 m³ / hr)

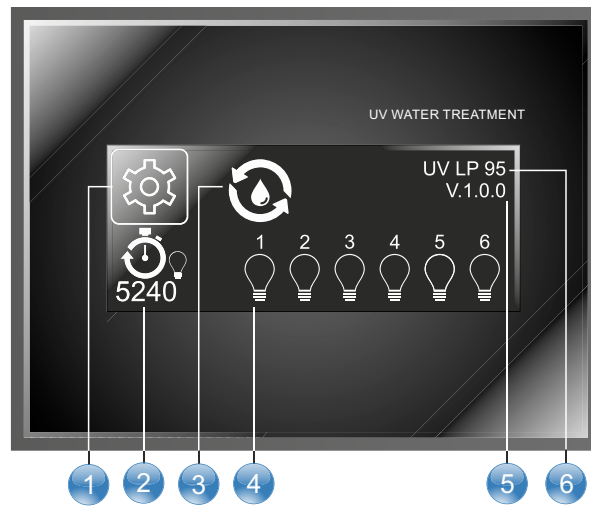
medidas aproximadas / approximate dimensions



| | A | B | C |
|---------------|---------|----------|---------|
| P95) | 700 mm. | 500 mm | 200 mm. |
| P140-180) | 800 mm. | 600 mm. | 200 mm. |
| P220-260-300) | 800 mm. | 1000 mm. | 300 mm. |

| REF. | PE (POLIETILENO / POLYETHYLENE) | | | | | |
|--|---------------------------------|-----------------------|-----------------------|-----------------------|-----------------------|-----------------------|
| | UV LP P95 | UV LP P140 | UV LP P180 | UV LP P220 | UV LP 260 | UV LP 300 |
| UV (W) | 2x340W | 3x340W | 4x340W | 5x340W | 6x340W | 7x340W |
| UV-C (W) | 204 UV-C (W) | 306 UV-C (W) | 408 UV-C (W) | 510 UV-C (W) | 612 UV-C (W) | 714 UV-C (W) |
| LAMP. | 16.000 hr (AM) | | | | | |
| FL. @ 35 mJ/cm ² agua dulce / freshwater(1) | 101 m ³ /h | 152 m ³ /h | 198 m ³ /h | 242 m ³ /h | 283 m ³ /h | 327 m ³ /h |
| FL. @ 35mJ/cm ² agua mar / seawater(2) | 62 m ³ /h | 95 m ³ /h | 113 m ³ /h | 151 m ³ /h | 179 m ³ /h | 198 m ³ /h |

(1) UVT 95%
(2) UVT 85%



PANELES DESCRIPTIVOS/ PANELS DESCRIPTIONS

1. Configuración

Configuration

2. Horas de servicio

Service hours

3. Detector de flujo

Flow detector

4. Indicador lampara "ON"

Lamp "ON" indicator

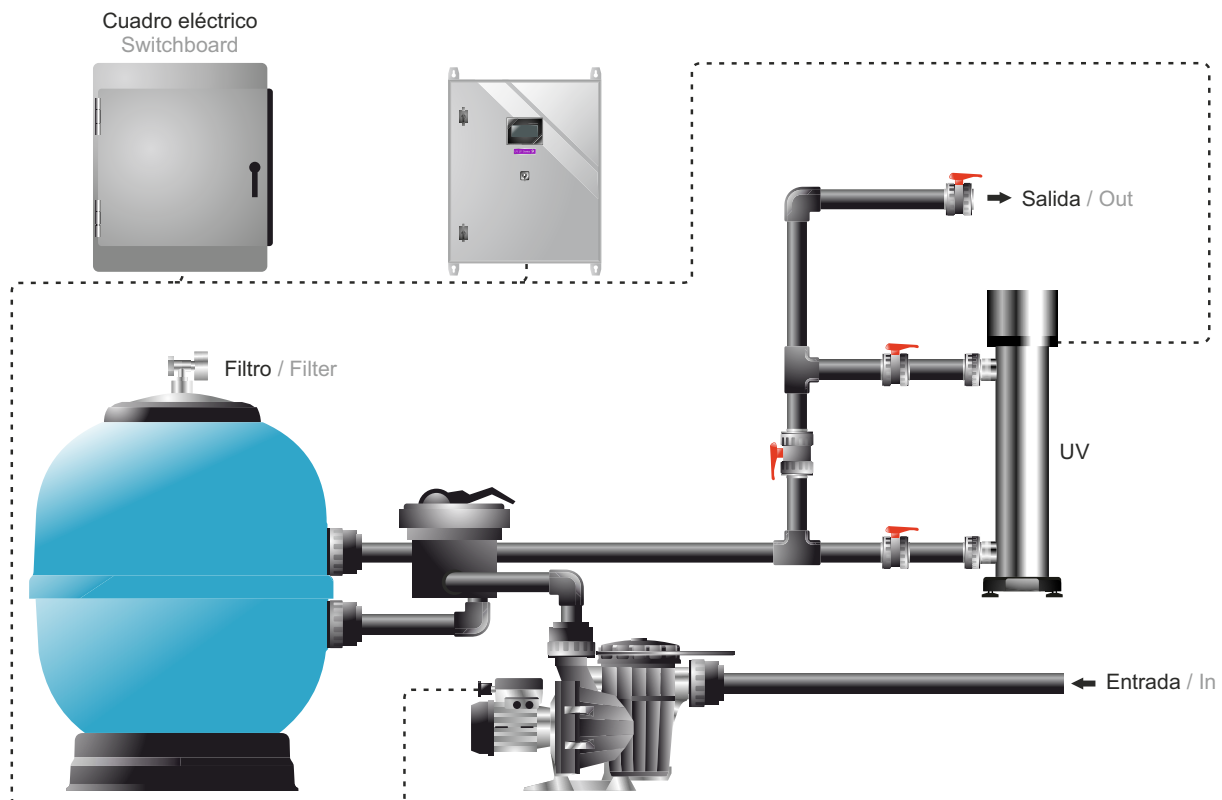
5. Versión del Firmware

Firmware version

6. Modelo

Model

Diagrama de instalación / Installation Diagram



For more information visit our website

www.idegis.es



**Naturally
water**



© 2016 I.D. Electroquímica, S.L. All rights reserved. IDEGIS y PoolStation® are registered trademarks of I.D. Electroquímica, S.L. en la CE. Modbus® is a registered trademark of Modbus Organization, Inc. Other products, brands or company names may be trademarks or designations registered by their respective owners. Prohibited the reproduction of this document, in part or in whole, without the express consent of the owner of the copyright. The Publisher reserves the right to make, at any time and without prior notice, modifications, deletions or updates to the information contained in this document. The Publisher hereby excludes any liability for the use of this document.

Document: UVLPP01.2016

Printed: 03.2016